



Technical description

Applications:

Heating and cooling systems
Tapwater systems

Function:

Shut-off

Pressure class:

PN 10

Temperature:

Max. working temperature: 100°C
PEX pipe max.: 95°C

Material:

Body: AMETAL®
Nipple: AMETAL®
Spindle: AMETAL®
Ball: AMETAL®
Sealing rings: EPDM-rubber
Handle: Acétal-plastic

AMETAL® is the dezincification resistant alloy of TA.

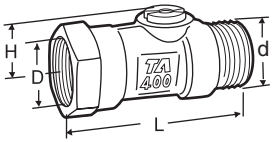
Surface treatment:

Chrome plated

Marking:

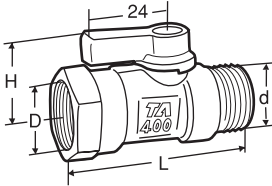
Body: TA 400 and inch size.

TA 400 - Female/male



Without handle

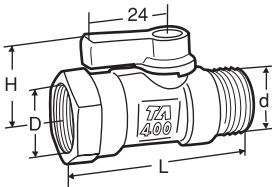
TA No	DN	D	d	L	H	Kvs
58 400-210	10	G3/8	G3/8	53	15	4.5
58 400-215	15	G1/2	G1/2	59	15	4.5



With blue handle

TA No	DN	D	d	L	H	Kvs
58 400-610	10	G3/8	G3/8	53	25	4.5
58 400-615	15	G1/2	G1/2	59	25	4.5

With plane nipple end for couplings with gasket (e.g. FPL half coupling)

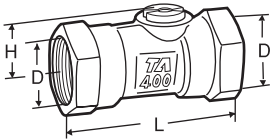


With black handle

TA No	DN	D	d	L	H	Kvs
58 410-615	15	G1/2	R1/2	62	25	4.5

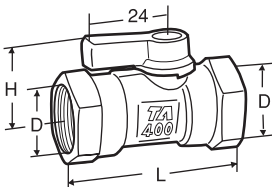
Kvs = m^3/h at a pressure drop of 1 bar and fully open valve.

TA 400 - Female



Without handle

TA No	DN	D	L	H	Kvs
58 403-210	10	G3/8	52	15	4.5
58 403-215	15	G1/2	66	15	4.5

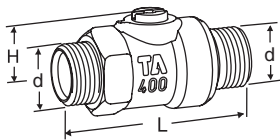


With blue handle

TA No	DN	D	L	H	Kvs
58 403-610	10	G3/8	52	25	4.5
58 403-615	15	G1/2	66	25	4.5

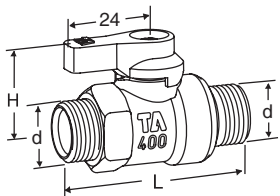
Kvs = m^3/h at a pressure drop of 1 bar and fully open valve.

TA 400 - Male



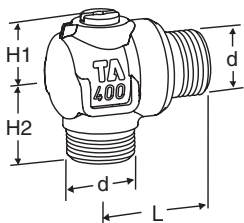
Without handle

TA No	DN	d	L	H	Kvs
58 406-210	10	G3/8	52	15	4.5
58 406-215	15	G1/2	57	15	4.5



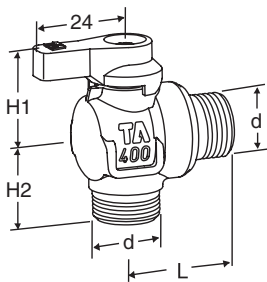
With blue handle

TA No	DN	d	L	H	Kvs
58 406-610	10	G3/8	52	25	4.5
58 406-615	15	G1/2	57	25	4.5



Without handle

TA No	DN	d	L	H1	H2	Kvs
58 407-210	10	G3/8	27	15	22	
58 407-215	15	G1/2	27	15	24	



With blue handle

TA No	DN	d	L	H1	H2	Kvs
58 407-610	10	G3/8	27	25	22	
58 407-615	15	G1/2	27	25	24	

Kvs = m³/h at a pressure drop of 1 bar and fully open valve.

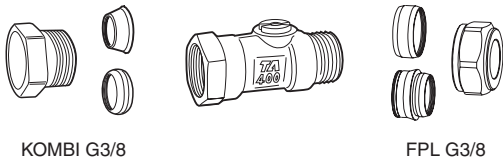
Accessories

Handle



TA No	Colour
58 409-001	Blue
58 409-002	Red
58 409-003	Black

Connection possibilities DN 10 (G3/8)



KOMBI G3/8

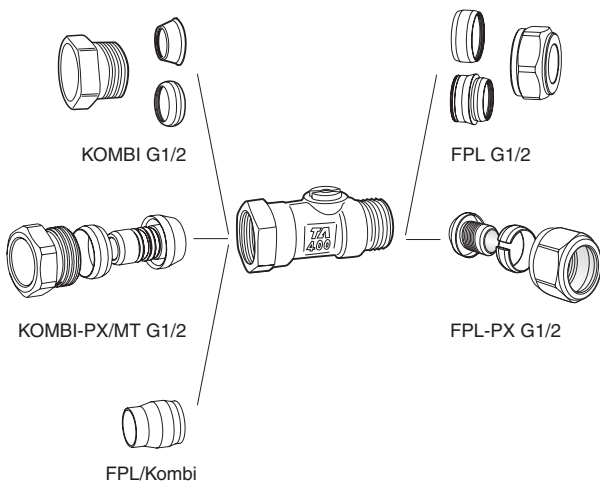
FPL G3/8

With KOMBI for smooth pipe / With FPL nut and cone for smooth pipe

TA No	Pipe OD	TA No	Pipe OD
KOMBI		FPL	
53 235-103	8	53 371-208/ 53 381-008	8
53 235-104	10	53 371-210/ 53 381-010	10
53 235-107	12	53 371-212/ 53 381-012	12

For further information on KOMBI and FPL - see each catalogue leaflet under section Couplings.

Connection possibilities DN 15 (G1/2)



KOMBI G1/2

FPL G1/2

KOMBI-PX/MT G1/2

FPL-PX G1/2

FPL/Kombi

With KOMBI for smooth pipe / With FPL nut and cone for smooth pipe

TA No	Pipe OD	TA No	Pipe OD
KOMBI		FPL	
-	-	53 379-208/ 53 389-008	8
53 235-109	10	53 379-210/ 53 389-010	10
53 235-111	12	53 379-212/ 53 389-012	12
-	-	53 379-213/ 53 389-013	13
53 235-112	14	53 379-214/ 53 389-014	14
53 235-113	15	53 379-215/ 53 389-015	15
53 235-114	16	53 379-216/ 53 389-016	16

With KOMBI-PX/MT for Alu/PEX (MT) pipe / With FPL-PX for PEX pipe

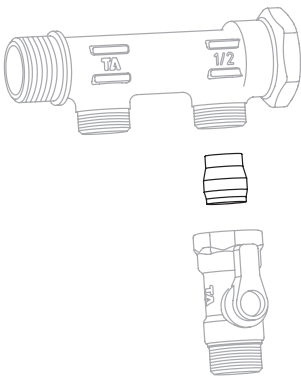
TA No	Pipe OD	TA No	Pipe OD
KOMBI-PX/MT		FPL-PX	
53 230-111 ²	12x2,0	53 644-312	12x2,0
53 231-112 ¹	14x2,0	-	-
53 230-113 ²	15x2,5	53 644-315	15x2,5
53 231-114 ¹	16x2,0	-	-

- 1) With O-ring on support bush on PEX and Alu-PEX pipe
- 2) Without O-ring on support bush - only for PEX pipe

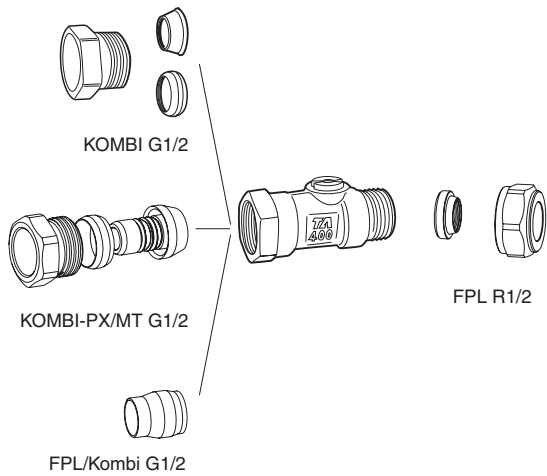
For further information on KOMBI, KOMBI-PX/MT, FPL and connection set FPL-PX- see each catalogue leaflet under section Couplings.

With cone for direct connection of a valve with Kombi-end to a FPL-end G1/2
(e.g. distributors)

TA No	For valve DN
58 409-100	15 (G1/2)



Connection possibilities DN 15 (G1/2xR1/2)



With KOMBI for smooth pipe / With FPL half coupler

TA No	Pipe OD	TA No	Pipe OD
KOMBI		FPL	
53 235-109	10	53 319-210	10
53 235-111	12	53 319-212	12
53 235-112	14	-	-
53 235-113	15	53 319-215	15
53 235-114	16	53 319-216	16

With KOMBI-PX/MT for Alu/PEX (MT) pipe

TA No	Pipe OD
KOMBI-PX/MT	
53 230-111 ²	12x2,0
53 231-112 ¹	14x2,0
53 230-113 ²	15x2,5
53 231-114 ¹	16x2,0

- 1) With O-ring on support bush on PEX and Alu-PEX pipe
- 2) Without O-ring on support bush - only for PEX pipe

For further information on KOMBI, KOMBI-PX/MT and FPL - see each catalogue leaflet under section Couplings.

With cone for direct connection of a valve with Kombi-end to a FPL-end G1/2 (e.g. distributors)

TA No	For valve DN
58 409-100	15 (G1/2)