

## Technical description

**Applications:**

Heating and cooling systems  
Tapwater systems

**Function:**

Shut-off

**Pressure class:**

See each product

**Temperature:**

Max. working temperature: 170°C

**Material:**

Body: AMETAL<sup>®</sup> or gunmetal.  
Bonnet: AMETAL<sup>®</sup>, DN 125-150 gunmetal.  
Wedge: AMETAL<sup>®</sup>, DN 125-150 gunmetal.  
Stem and fastening: AMETAL<sup>®</sup>  
Gaskets: PTFE/Graphite and aramid fibre.

AMETAL<sup>®</sup> is the dezincification resistant alloy of TA.

**Flanges:**

According to EN 1092-3, ISO 7005-3.

**Face to face length:**

DN 32 - 150: EN 558-1 Series 14  
DN 40 - 150: ISO 5752 Series 14

**Top sections:**

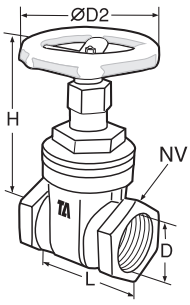
DN 10-50 has a threaded bonnet with a flat seal.  
DN 65-150 has a flange joint between the bonnet and the body and is supplied with a flat seal and stainless allen screws.

**Approvals:**

Approved by Bureau Veritas.

## TA 60

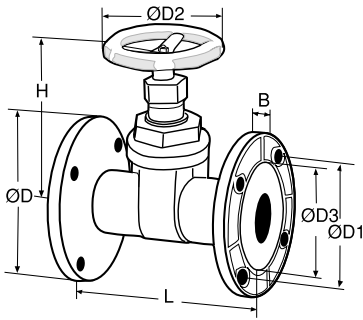
### Female parallel thread PN 16 DIN-EN 12288, BS 5154 AMETAL®



TA No	DN	D*	D2	L	H	NV	Kvs
51 060-008	8	G1/4	60	42	72	23	4
51 060-010	10	G3/8	60	49	72	22	6
51 060-015	15	G1/2	60	56	77	27	13
51 060-020	20	G3/4	70	61	95	32	40
51 060-025	25	G1	70	69	102	41	60
51 060-032	32	G1 1/4	80	77	122	50	100
51 060-040	40	G1 1/2	90	81	138	58	150
51 060-050	50	G2	100	95	160	70	270
51 060-065	65	G2 1/2	120	112	195	86	450
51 060-080	80	G3	140	122	220	100	700
51 060-090	100	G4	140	160	270	127	1400

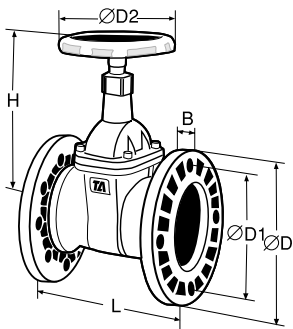
\*) Thread length as per ISO 228.  
NV = Spanner width

### Fixed flanges PN 6 AMETAL®



TA No	DN	D	D1	D2	D3	L	H	B	Number of bolt holes	Kvs
51 061-025	25	100	75	70	60	110	102	10	4	60
51 061-032	32	120	90	80	70	130	122	11	4	100
51 061-040	40	130	100	90	80	140	138	12	4	150
51 061-050	50	140	110	100	90	150	160	13	4	270

### Fixed flanges PN 16 Gunmetal



TA No	DN	D	D1	D2	L	H	B	Number of bolt holes	Kvs
51 061-425	25	115	85	70	110	102	11	4	60
51 061-432	32	140	100	80	130	122	12	4	100
51 061-440	40	150	110	90	140	138	13	4	150
51 061-450	50	165	125	100	150	160	15	4	270
51 061-465	65	185	145	120	170	195	16	4	450
51 061-880	80	200	160	140	180	220	17	8	700
51 061-890	100	220	180	140	190	270	20	8	1400
51 061-891	125	250	210	180	200	390	22	8	1900
51 061-892	150	285	240	180	210	425	22	8	2100